

Instructions for Model **RA-WM** Remote Alarm

REMOTE ALARM **MODEL RA-WM**

Used for additional indication of water leakage.
Compatible with all Series 2100 monitors and SS-4,
SS-5 and VR-4 Water Alert Detectors.



FEATURES

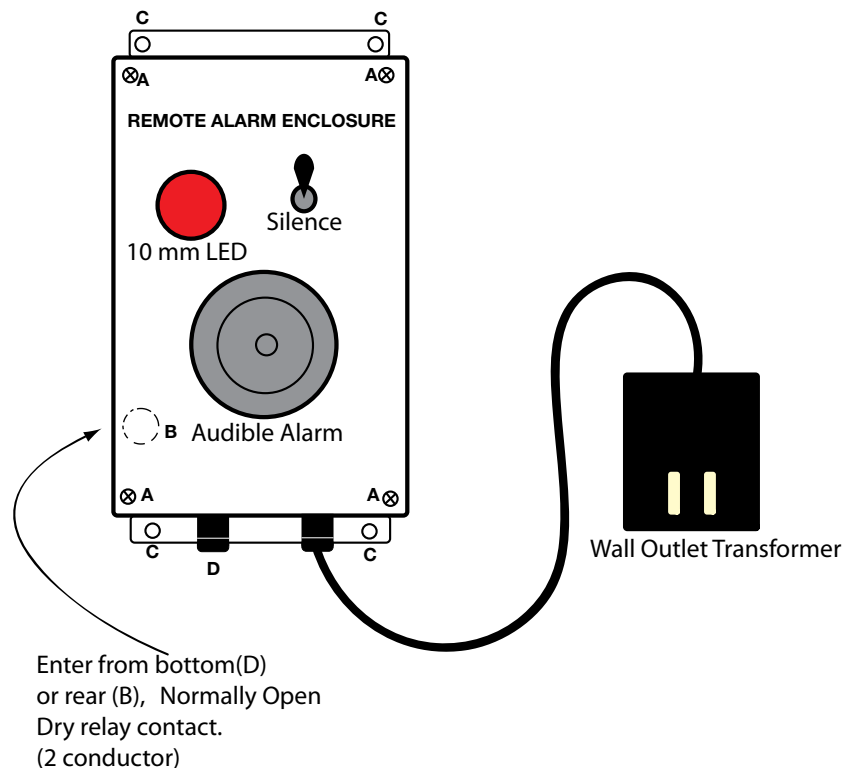
- Unit is surface wall mounted. dimensions- 6"H x 3"W x 2"D
- **UL Listed** input transformer.
- Input: Normally Open Contact
- 10mm LED indicator
- 85db Audible Alarm w/silence switch

PRINCIPLE OF OPERATION

The RA-WM is a Remote Alarm panel activated by a "Normally Open" dry relay contact closing. The unit is wall mounted and utilizes 120V AC outlet.

INSTALLATION

- 1) Remove "A" screws x4, to expose internal.
- 2) Locate on wall near 120VAC wall outlet. Scribe "B" hole and "C" holes on wall. ("B" hole for rear wire entry only).
- 3) Drill "C" Holes 1/4".
- 4) Use inserts and screws to fasten unit to wall.
- 5) Run Normally open contact (2 conductor) Thru "B" or "D" hole and wire to Black pig tail leads. (Use wire nuts supplied)



Dorlen Products

6615 West Layton Avenue, Milwaukee, WI. 53220
Phone: 414-282-4840 Fax: 414-282-5670 E-Mail: Dorlen@excepc.com

www.wateralert.com

5-12
M-9943